

PROPRIETARY NOTICE

THESE PRINTS CONTAIN PATENTED AND/OR OTHER
INFORMATION CONSIDERED PROPRIETARY BY
AUDIO RESEARCH CORPORATION, AND ARE FURNISHED
ON A CONFIDENTIAL BASIS FOR IDENTIFICATION
PURPOSES ONLY

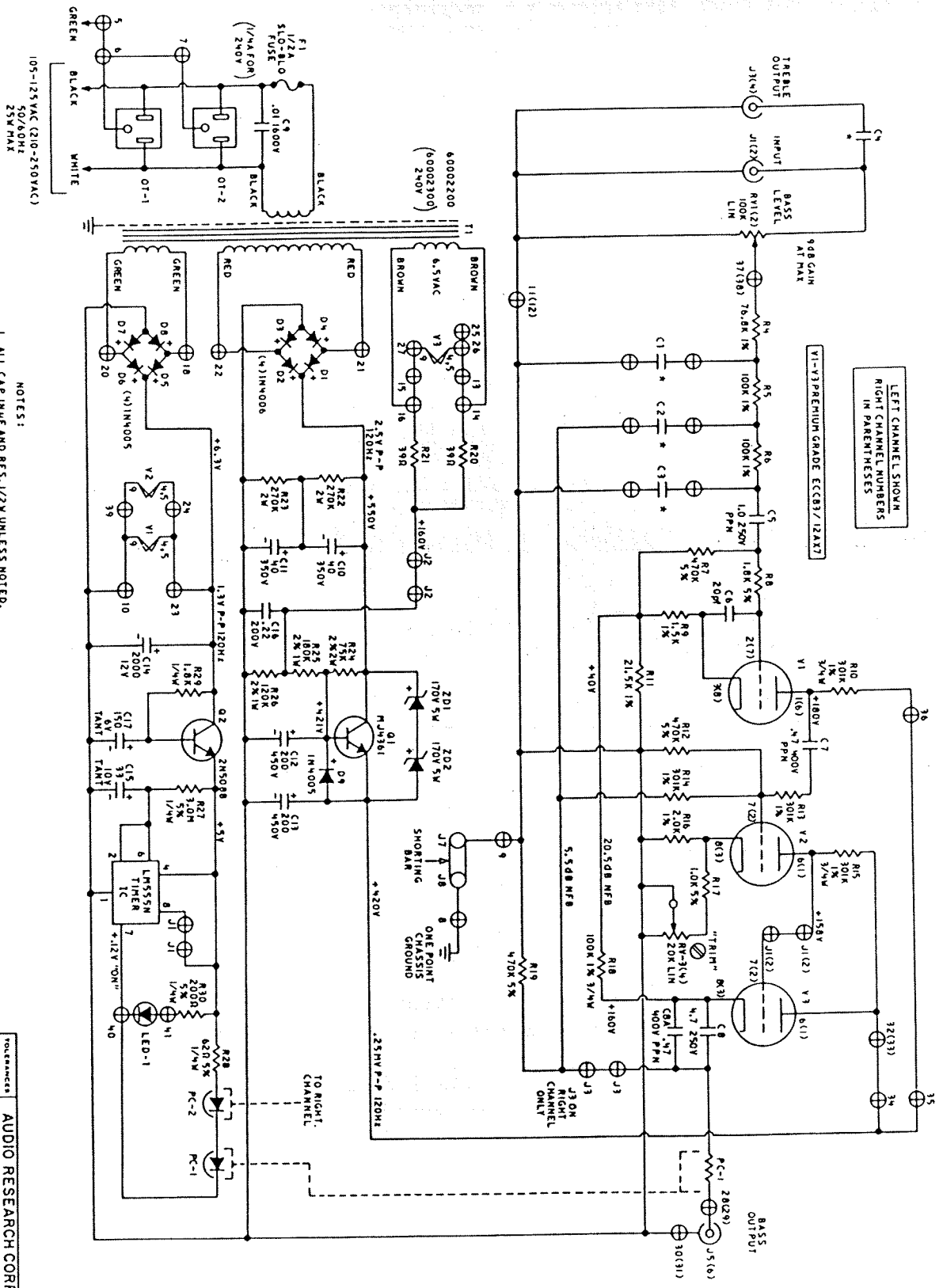
MODEL EC-21 ELECTRONIC CROSSOVER

SCHEMATIC & PARTS LIST

AND NOTICE

audio research corporation

6801 SHINGLE CREEK PARKWAY
MINNEAPOLIS, MINNESOTA 55430



LEFT CHANNEL SHOWN
RIGHT CHANNEL NUMBERS
IN PARENTHESES

NOTES:
1. ALL CAP, IN, UF AND RES. 1/2W UNLESS NOTED.
* SEE CROSSOVER FREQUENCY KITS.

PROPRIETARY NOTICE
THIS PRINT CONTAINS PATENTED AND/OR OTHER
INFORMATION CONSIDERED PROPRIETARY BY
AUDIO RESEARCH CORPORATION AND IS FURNISHED
ON A CONFIDENTIAL BASIS FOR IDENTIFICATION
PURPOSES ONLY.

TOLERANCES		AUDIO RESEARCH CORPORATION	
RESISTORS	MINNEAPOLIS, MINNESOTA	DATE	REV.
CAPACITORS		DESIGNED BY	PC-1
TRANSISTORS		TESTED BY	PC-2
DIODES		APPROVED BY	PC-1
RELAYS		DATE	1-22-80
CONNECTORS		PROJECT NO.	910066-10
WELDS		REV.	A
OTHER			

EC-21 PARTS LIST

<u>COMPONENT</u>	<u>QUAN.</u>	<u>DESCRIPTION</u>	<u>VALUE</u>	<u>RATING</u>	<u>TOL.</u>	<u>ARC PART NO.</u>
V1,V2	2	ECC83/12AX7A				32000700
V3	1	ECC83/12AX7A				32000100
Q1	1	MJ4361 NPN				30004401
Q2	1	2N5088 NPN				30003100
D1-4	4	IN4006		800V		30502200
D5-9	4	IN4005		600V		30500400
ZD1,2	2	1.5SE170A Zener	170V	5W		30502600
LED1	1	Lamp Green				34300100
V1	1	LM555N Timer				31000800
PC1,2	2	VTL5C1 PhotoCoupler				34400100
RV1,2	2	Bass Level Pot	100K	LinTaper	20%	45100518
RV3,4	2	Trim Pot	20K	LinTaper	20%	45200411
R4	2	Metal Film	76.8K	1/2W	1%	42768403
R5,6	4	Metal Film	100K	1/2W	1%	42100503
R7,12,19	6	Carbon	470K	1/2W	5%	41470503
R8	2	Carbon	1.8K	1/2W	5%	41180303
R9	2	Metal Film	1.5K	1/2W	1%	42150303
R10,15	4	Metal Film	301K	3/4W	1%	42301504
R11	2	Metal Film	21.5K	1/4W	1%	42215402
R13,14	4	Metal Film	301K	1/2W	1%	42301503
R16	2	Metal Film	2.0K	1/2W	1%	42200302
R17	2	Carbon	1.0K	1/2W	5%	41100303
R18	2	Metal Film	100K	3/4W	1%	42100504
R20,21	2	Carbon	39Ω	1/2W	5%	41390103
R22,23	2	Carbon	270K	2W	10%	40270505
R24	1	Metal Film	75K	2W	2%	46750401
R25	1	Metal Film	180K	1W	2%	46180501
R26	1	Metal Film	120K	1W	2%	46120501
R27	1	Carbon	3.0M	1/4W	5%	41300602
R28	1	Carbon	62Ω	1/4W	5%	41620102
R29	1	Carbon	1.8K	1/4W	5%	41180302
R30	1	Carbon	200Ω	1/4W	5%	41200202
C5	2	Polypropylene	1.0μF	160V		53100606
C6	2	Dipped Mica	20pF	500V		57200100
C7,C8A	4	Polypropylene	.47μF	400V		53470505
C8	2	Polyester	4.7μF	250V		53470600
C9	1	Polyester	.01μF	1600V		53100403
C10,11	2	Electrolytic	40μF	350V		50400701
C12,13	2	Electrolytic	200μF	450V		50200801
C14	1	Electrolytic	2000μF	12V		50200902
C15	1	Tant.	33μF	10V		51330700
C16	1	Polyester	.22μF	200V		53220501
C17	1	Tant.	150μF	6V		51150801
F1	1	Slo-Blo 120V	1/2A	250V		34500200
		240V	1/4A	250V		34500100
T1	1	Transformer 120V				60002200
		240V				60002300
OT-1,2	2	AC Receptacle				23200500
J1-6	6	Phono Jack				23201000
J7	1	Binding Post Blk				23102600
J8	1	Binding Post Green				23103000

audio research corporation

6801 SHINGLE CREEK PARKWAY
MINNEAPOLIS, MINNESOTA 55430
AREA CODE 612 / 566-7570

N O T I C E

Your Audio Research EC-21 high definition electronic crossover is supplied from the factory

WITHOUT FREQUENCY-DETERMINING CAPACITORS

The Audio Research dealer will install the proper kit of capacitors to "custom match" the EC-21 to the needs of your music system at the time of installation.

This fixed-frequency approach provides greater sonic accuracy in the critical crossover region and better channel balance than most adjustable designs, at minimal cost.

Frequency kits are available from Audio Research dealers or from the factory for standard crossover frequencies:

62 Hz, 6dB bass slope
62 Hz, 18dB bass slope
125 Hz, 6dB bass slope
125 Hz, 18dB bass slope
250 Hz, 6dB bass slope
1000 Hz, 6dB bass slope

Consult your Audio Research dealer or our Customer Service Manager for special needs.